

Technical Specifications



Air X



Whisper 100



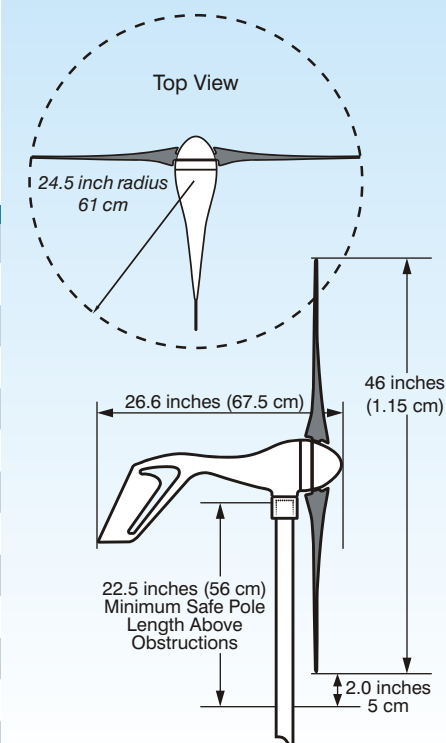
Whisper 200



Whisper 500



Sphere of Operation



Rotor Diameter: 46 inches (1.15m)

Weight: 13 lbs (5.85kg)

Shipping Dimensions: Shipping: 27"x15"x9" (686x38x228mm) / 17 lbs (7.7kg))

Mount: 1.5" schedule 40 pipe (1.9" OD, 48 mm)

Start-up wind speed: 8 mph (3.58 m/s)

Voltage: 12, 24, 34 and 48 VDC

Rated Power: 400 watts at 28mph (12.5m/s)

Turbine Controller: Microprocessor-based smart internal regulator with Peak Power Tracking

Body: Cast aluminum (Air-X Marine is powder coated for corrosion protection)

Blades (three): Carbon Fiber Composite

Over-speed Protection: Electronic torque control

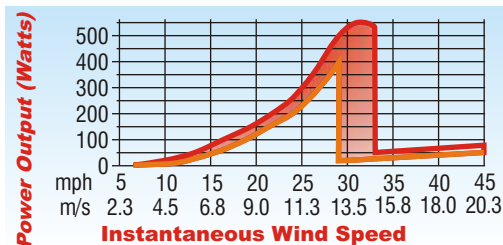
Kilowatt hours per month: 38 kWh/mo @12mph (5.4m/s)

Warranty: 3 Year Limited Warranty

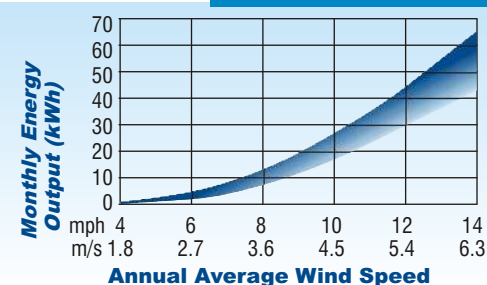
Survival Wind speed : 110 mph (49.2 m/s)



Patented



Performance Curves



Rayleigh Distribution Curve k=2

Southwest Windpower

Renewable Energy Made Simple

Top Line Non-Turbulent Site